



Shower - CL.1

Rain shower wall-mounted - polished chrome

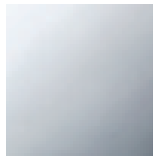
Article number: 28 765 980-00 0010



- 17-3/4" Projection
- Stream: Rain
- Descaling system
- 11-3/4" x 9-1/2" Rain showerhead
- Flange 2-3/8" x 2-3/8"
- 1/2" connection
- Water flow rate limited to max. 1.8 gpm

Codes & Standards

- California Energy Commission (CEC)
- ASME A112.18.1/CSA B125.1



polished chrome

Accessory is required for this item.

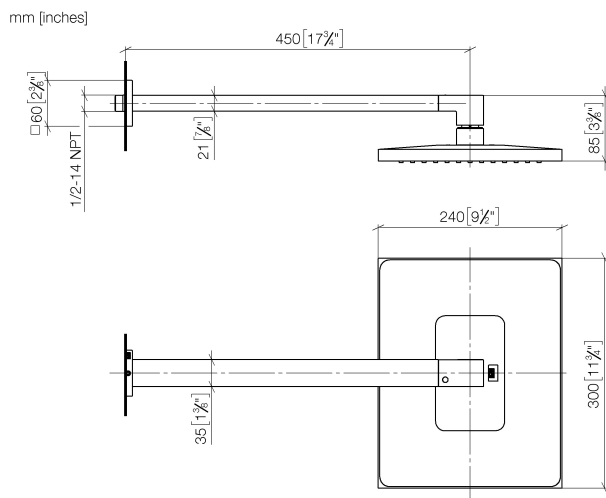


Shower - CL.1

Rain shower wall-mounted - polished chrome

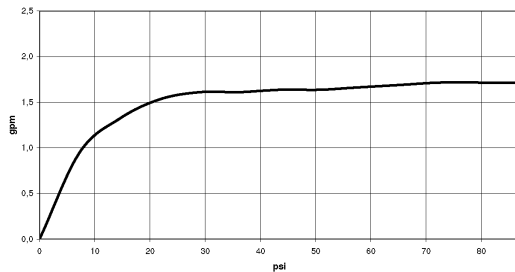
Article number: 28 765 980-00 0010

Dimensional drawing



All dimensions in mm / inch = mm x 0,0394

Flow rate chart





Shower - CL.1

Rain shower wall-mounted - polished chrome

Article number: 28 765 980-00 0010

Other surface finishes



platinum matte

28 765 980-06 0010



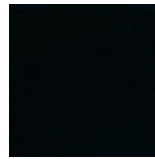
platinum

28 765 980-08 0010



Brushed Durabrass

28 765 980-28 0010



black matte

28 765 980-33 0010



Dark Platinum matte

28 765 980-99 0010

More custom finish options are available via special production (xTra Service). Please see our finish matrix for availability and pricing or contact a Dornbracht representative.



35 085 970-90 0010

Concealed wall elbow -

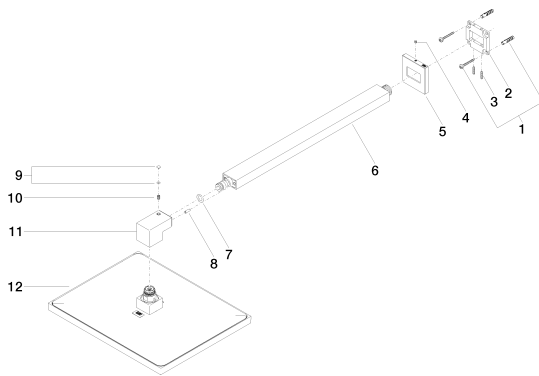


Shower - CL.1

Rain shower wall-mounted - polished chrome

Article number: 28 765 980-00 0010

Spare parts list



Number	Item Number	Designation	Number of units
1	04 30 31 032 00 90	fixing set	1
2	09 30 11 160 90	disc	1
3	09 31 11 084 90	pin	2
4	09 31 11 099 90	pin	1
5	09 27 98 016-00	rosette	1
6	04 28 22 249 00-00	pipe	1
7	09 14 10 011 90	seal	1
8	09 31 11 040 90	pin	1
9	90 31 20 087 00-00	plug	1
10	09 31 11 036 90	pin	1
11	09 17 01 180-00	connection	1
12	04 12 05 063 10-00	shower	1